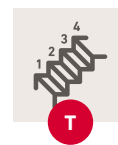
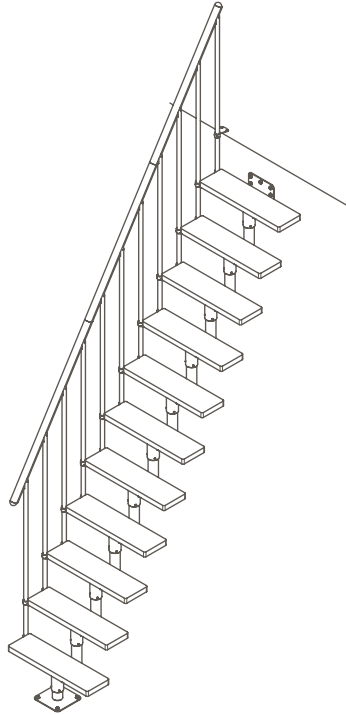
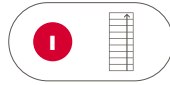
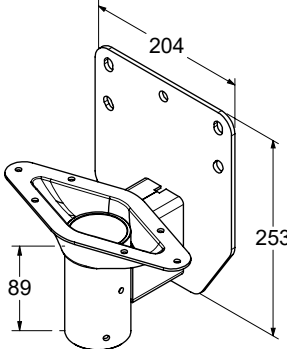
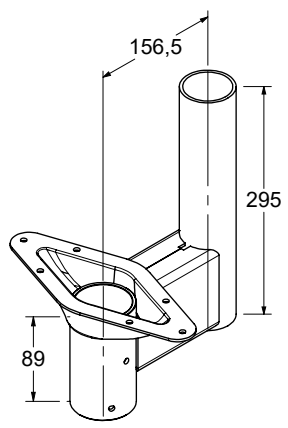
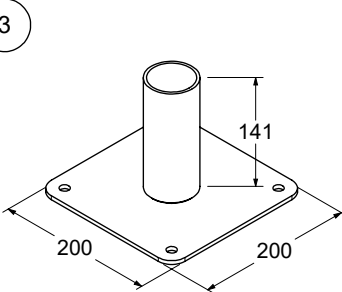
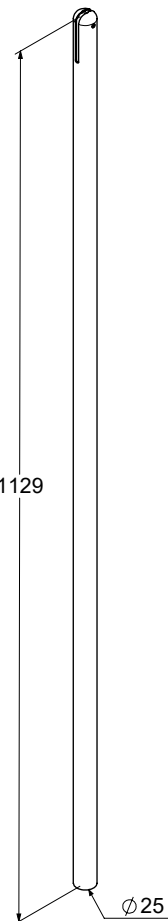
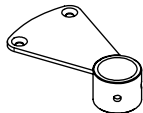
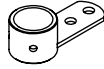
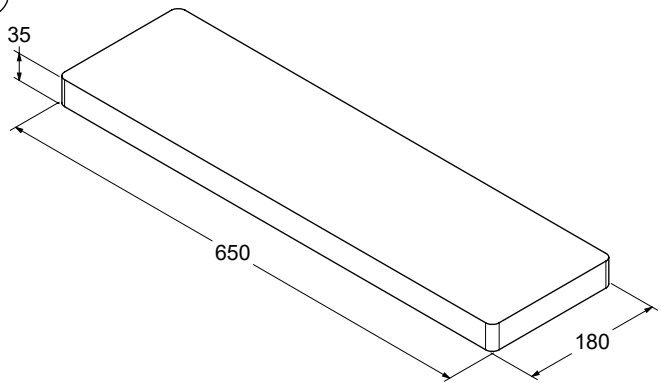
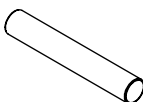


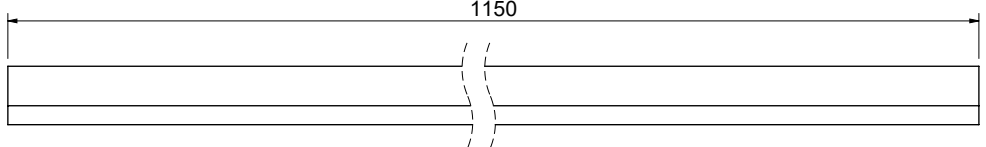

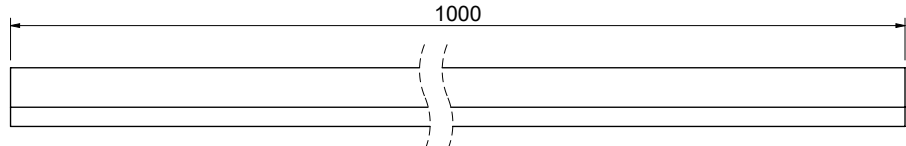


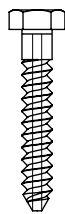

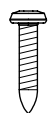





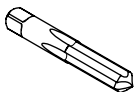



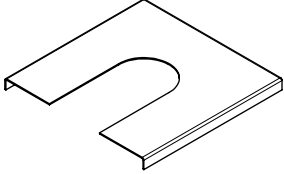



DALLAS


**INSTRUCTION / MONTAGEANLEITUNG
INSTRUKTION / INSTRUCCION / INSTRUKCJA**

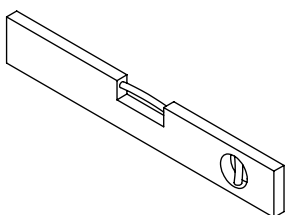


| | | | |
|--|--|--------------------|----------------------------|
| | Height floor-to-floor | Rise height | Number of treads |
| | Geschosshöhe | Steigungshöhe | Anzahl Stufen |
| | Hauteur sol-sol | Hauteur de marche | Nombre de marches |
| | Altura de suelo/suelo | Altura de peldaños | Numero de peldaños |
| | Altura do chão / chão | Altura do degrau | Número de etapas (degraus) |
| | Hoogte vloer/vloer | Hoogte trede | Aantal treden |
| | Etagehøjde | Stigningshøjde | Antal trin |
| | Golv till golv höjd | Stigningshöjd | Antal steg |
| | Wysokość kondygnacji od podłogi do podłogi | Wysokość stopnia | Ilość stopni |
| | Înălțime sol-sol | Înălțime treaptă | Număr trepte |
| | Výška patra podlaha-podlaha | Výška schodu | Počet nášlapů |
| | Высота от пола до пола | Шаг ступени | Кол-во ступеней |
| | Aukšto aukštis | Pakopos aukštis | Pakopų kiekis |
| | Stäva augstums | Pakāpiena augstums | Pakāpienu skaits |
| | Korruse kõrgus | Astme kõrgus | Astmete arv |
| | Višina nadstropja | Višina stopnice | Število stopnic |
| | Visina kata | Visina stepenice | Broj stepenica |
| | Výška podlažia | Výška stupňa | Počet stupňov |

| | | | | | |
|--|--|--|---|---|--|
| <p>1</p>  <p>x 1 K2-1077060 RAL 7016 K2-1077061 RAL 9005 K2-1077062 Pearl grey</p> | <p>2</p>  <p>x 10 K2-1077065 RAL 7016 K2-1077066 RAL 9005 K2-1077067 Pearl grey</p> | <p>3</p>  <p>x 1 K2-1077010 RAL 7016 K2-1077011 RAL 9005 K2-1077012 Pearl grey</p> | | | |
| <p>4</p>  | <p>5</p>  <p>x 1 K2-1077030 RAL 7016 K2-1077031 RAL 9005 K2-1077032 Pearl grey</p> | <p>6</p>  <p>x 21 K2-1077025 RAL 7016 K2-1077026 RAL 9005 K2-1077027 Pearl grey</p> | <p>20</p>  <p>x 11 K1-1077094 Varnish</p> | | |
| | <p>26</p>  <p>x 2 K1-71276</p> | <p>27</p>  <p>x 2 K1-71275 RAL 9006 K1-71475 RAL 7016/9005</p> | | | |
| | <p>28</p>  <p>x 1 K2-1077090 RAL 7016/9005 K2-1077092 RAL 9006</p> | <p>1150</p>  | | | |
| | <p>29</p>  <p>x 2 K2-1077095 RAL 7016/9005 K2-1077097 RAL 9006</p> | <p>1000</p>  | | | |
| <p>x 11 K1-1077080 RAL 7016 K1-1077081 RAL 9005 K1-1077082 Pearl grey</p> | <p>40</p>  <p>x 9 K3-08001 Ø12 x 60</p> | <p>41</p>  <p>x 9 K3-04001 Ø10</p> | <p>42</p>  <p>x 9 K3-06003 Ø10 x 60</p> | <p>43</p>  <p>x 55 K3-05003 M8 x 6</p> | <p>44</p>  <p>x 110 K3-06130 Ø6 x 30 TX30</p> |
| <p>45</p>  <p>x 44 K3-05056 M6 x 5</p> | <p>46</p>  <p>x 11 K3-05011 M5 x 20</p> | <p>47</p>  <p>x 2 K3-08002 Ø8 x 40</p> | <p>48</p>  <p>x 2 K3-06027 Ø5 x 50 TX25</p> | <p>49</p>  <p>x 1 K3-90001</p> | <p>55</p>  <p>x 1 K3-10010 M8</p> |

| OPTION MÖGLICHKEIT OPTIE OPTION MULIGHED | Cover kit Abdeckkappen Afdekkkit Kit de couverture Afdækningskit | |
|---|---|--|
| <p>10</p> <p>x 1 K1-1077070 <i>RAL 7016</i> K1-1077071 <i>RAL 9005</i> K1-1077072 <i>Pearl grey</i></p> |  | <p>11</p> <p>x 1 K1-1077075 <i>RAL 7016</i> K1-1077076 <i>RAL 9005</i> K1-1077077 <i>Pearl grey</i></p>  |
| <p>51</p>  <p>x 2 K3-06022 Ø5 x 35</p> | <p>56</p>  <p>x 2 K3-08006 Ø6 x 40</p> | <p>58</p>  <p>x 8 R3-20590</p> |

 **Tools not included!**
Werkzeuge nicht enthalten!
Gereedschap niet inbegrepen!
Outils non inclus!
Værktøj ikke inkluderet!



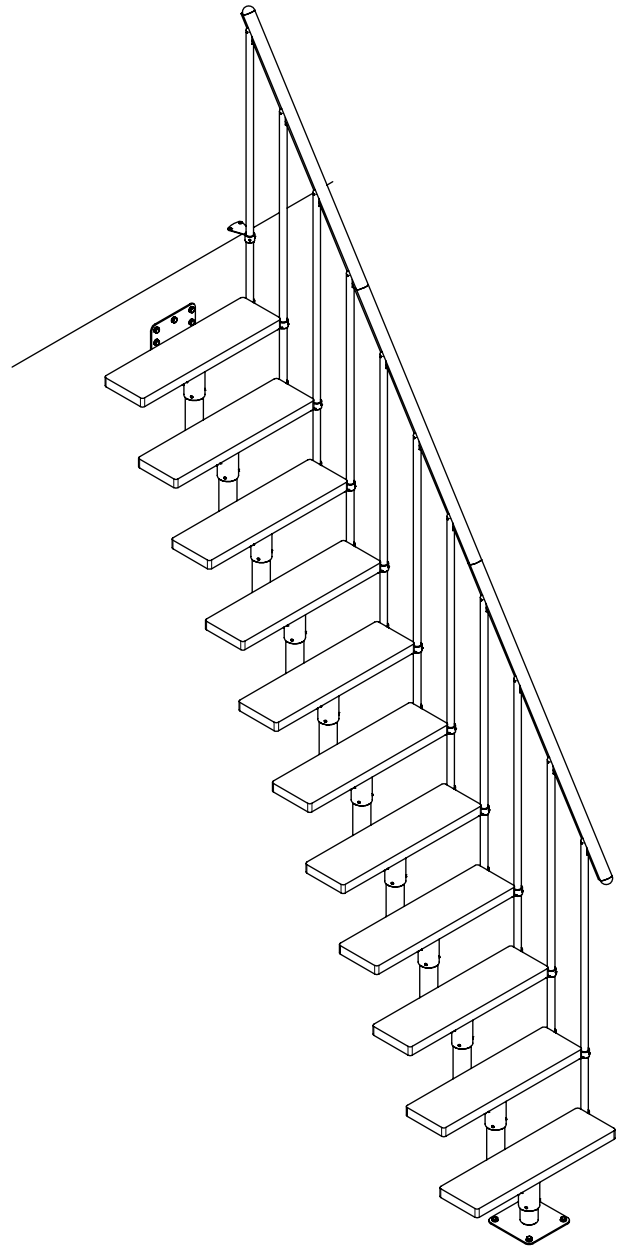
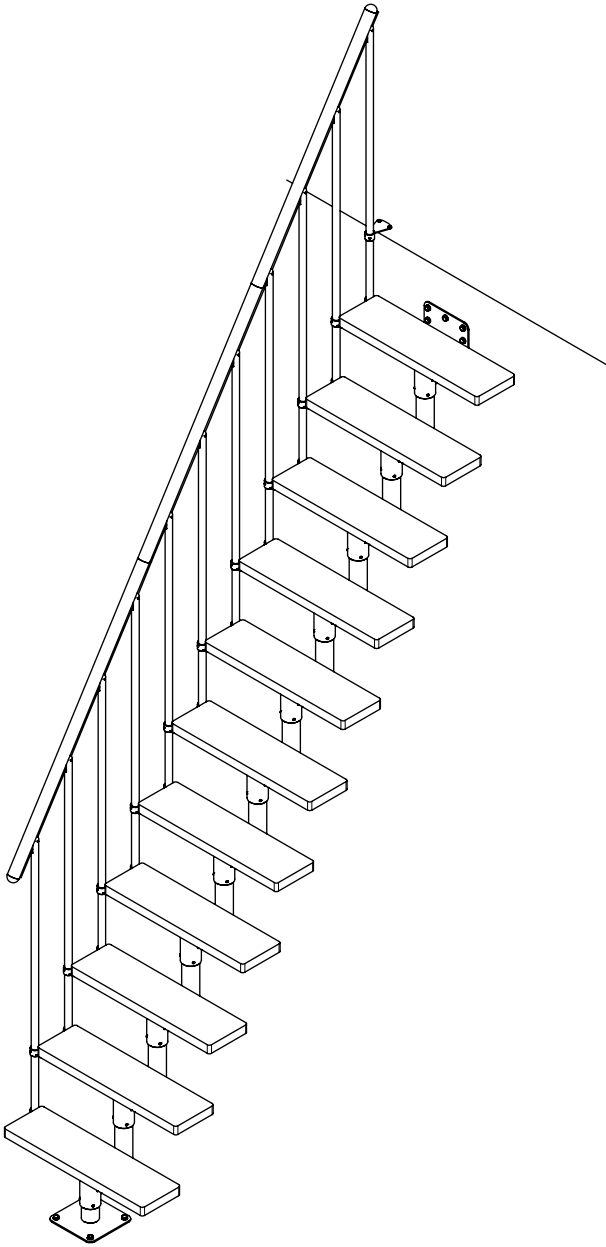
Ø 6mm
 Ø 8mm
 Ø 12mm
 Ø 4mm
 Ø 6mm

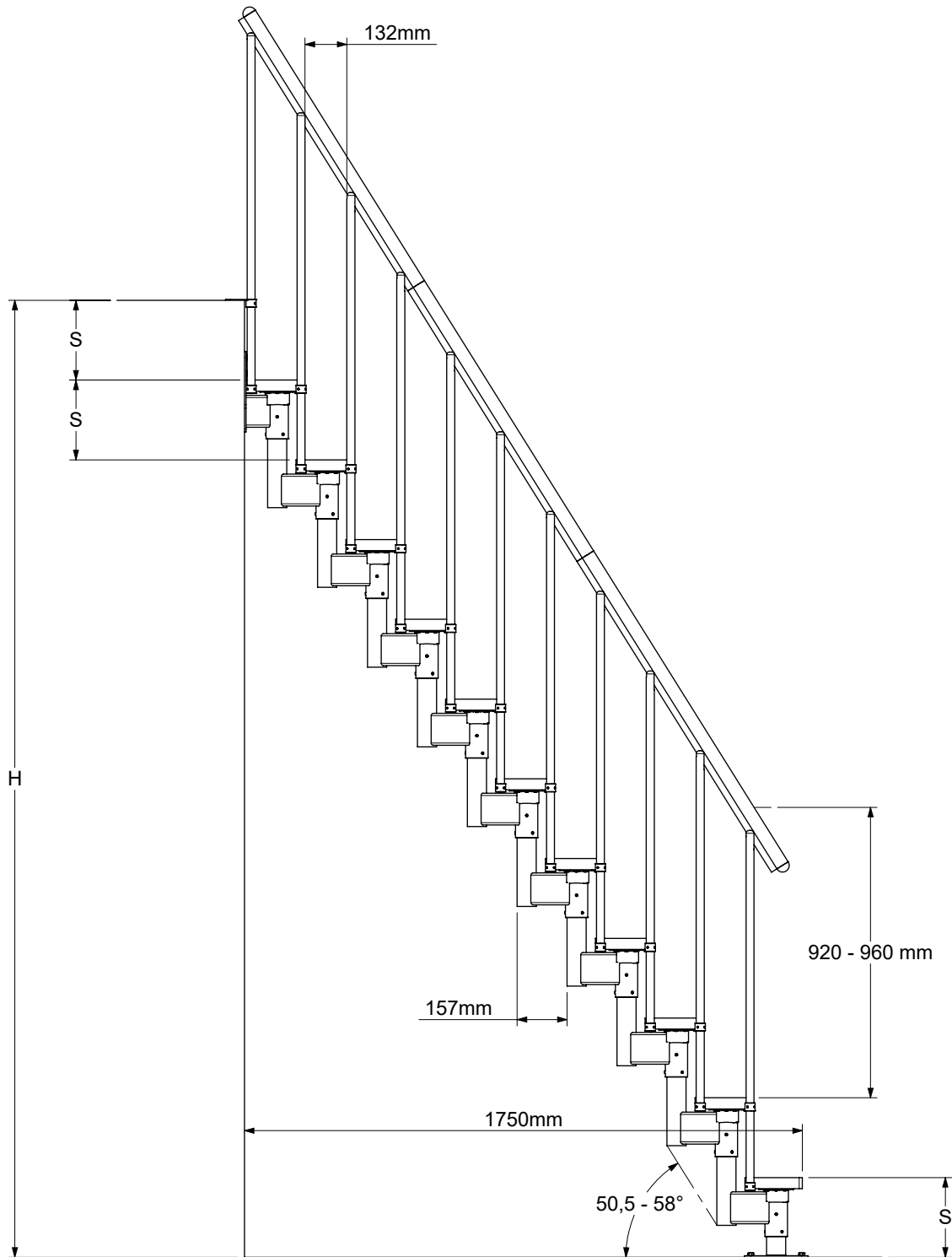
TX25
 TX30
 PH/PZ

2,5 mm
 3 mm
 4 mm

17mm

~ 50mm ~ 50mm





$$S = \frac{H}{T + 1}$$

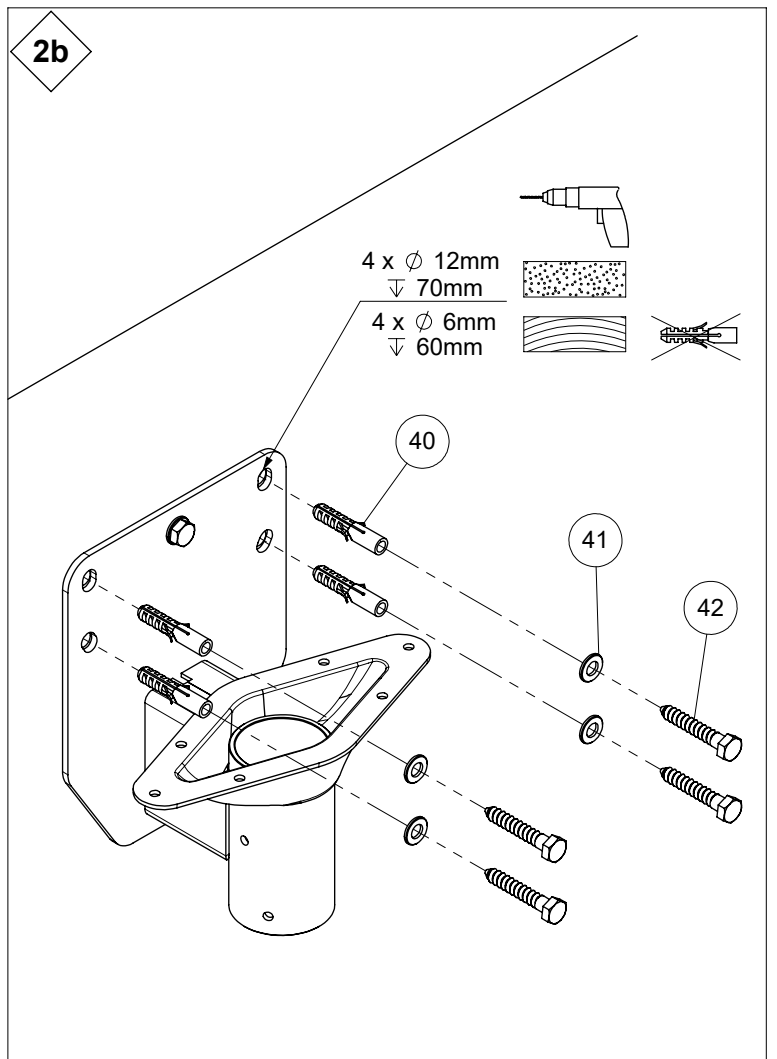
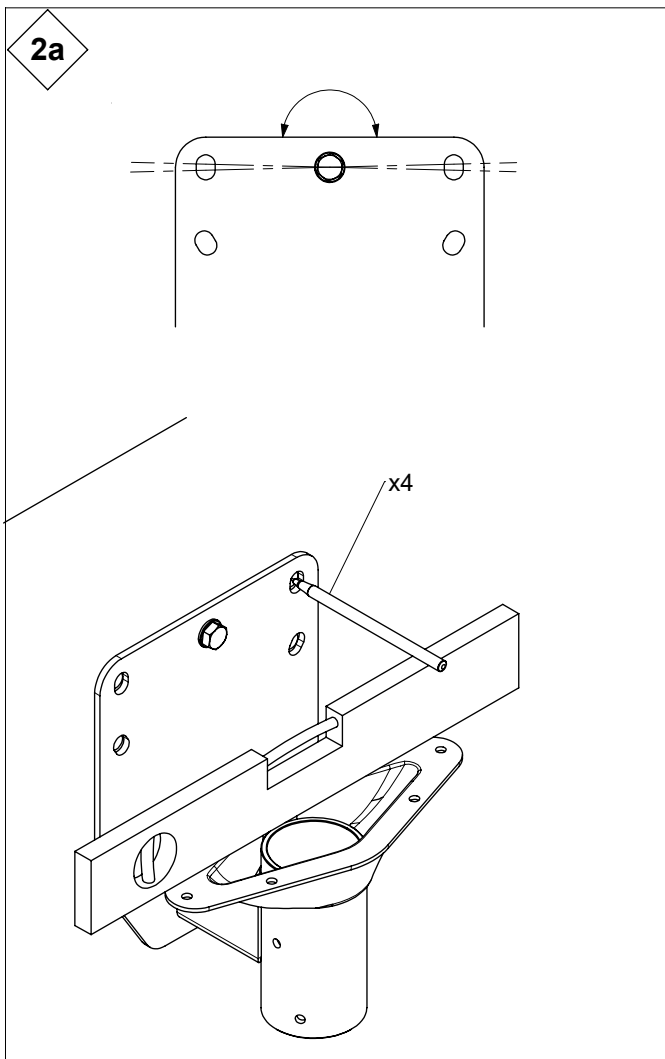
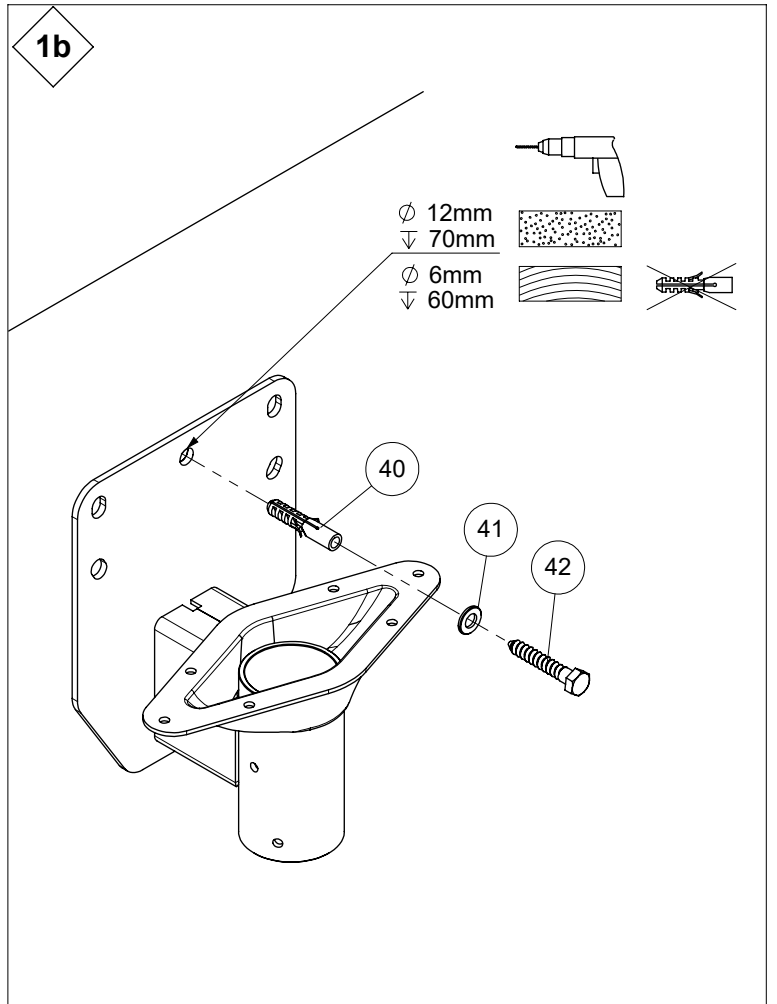
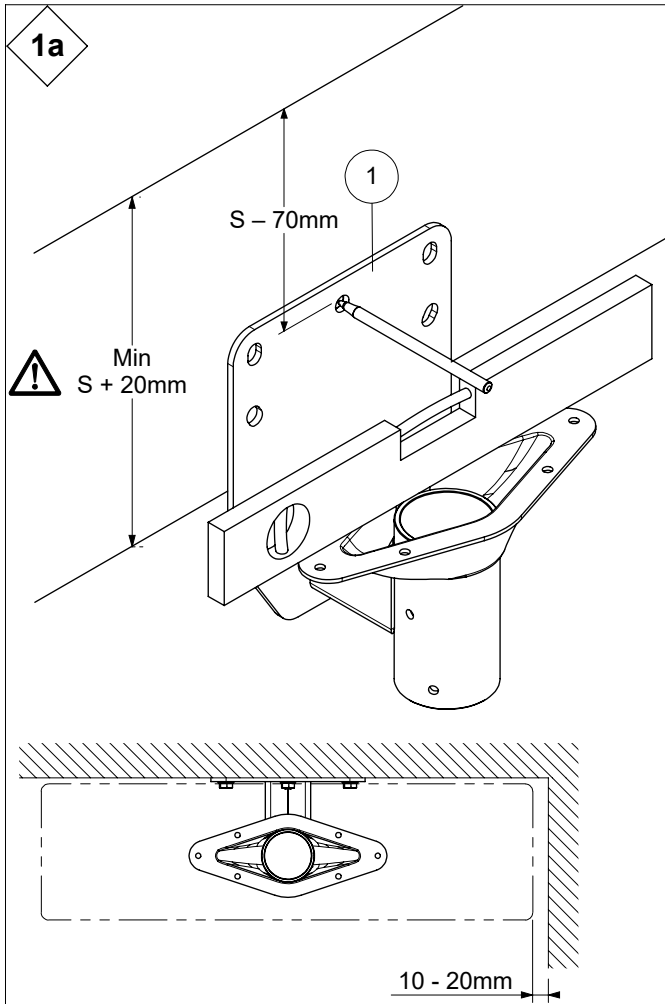
| min S | max S |
|--------|--------|
| 190 mm | 250 mm |

Example / Beispiel / Voorbeeld / Example / Eksempel:
H: 2400 mm, T: 11 steps

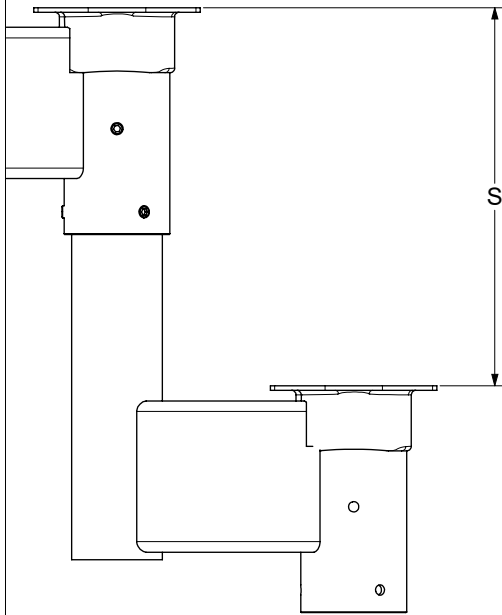
| T | min H | max H |
|----------|---------|---------|
| 9 steps | 1900 mm | 2500 mm |
| 10 steps | 2090 mm | 2750 mm |
| 11 steps | 2280 mm | 3000 mm |

$$S = \frac{2400 \text{ mm}}{11 + 1} = 200 \text{ mm}$$



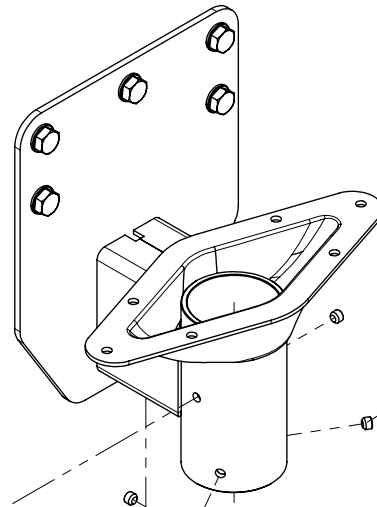
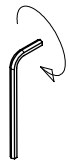


3

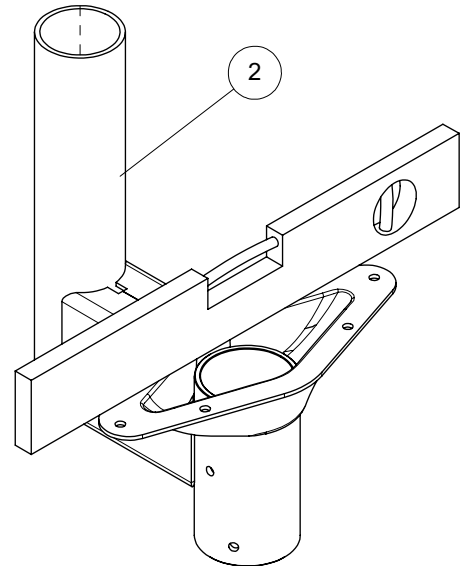
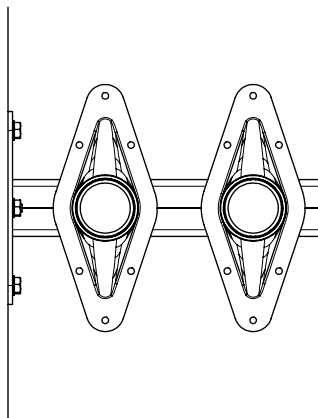


For removing burrs
Zum Entgraten
Om onregelmatigheden te elimineren
Pour éliminer les irrégularités
Til fjernelse af grater

55

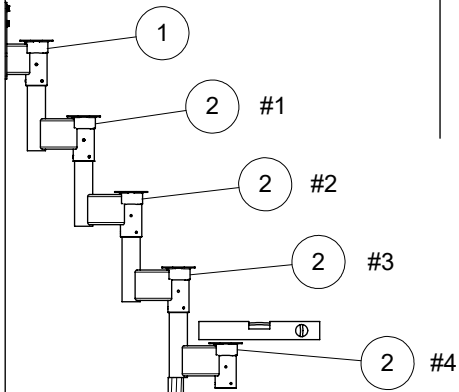
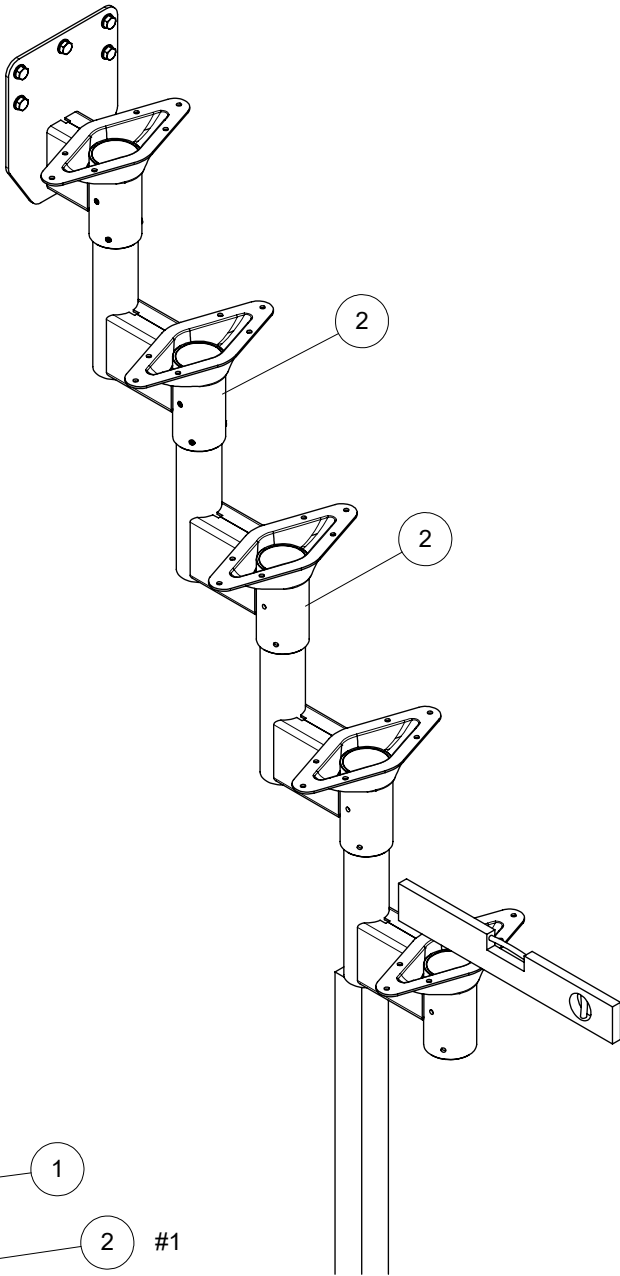


43 5x



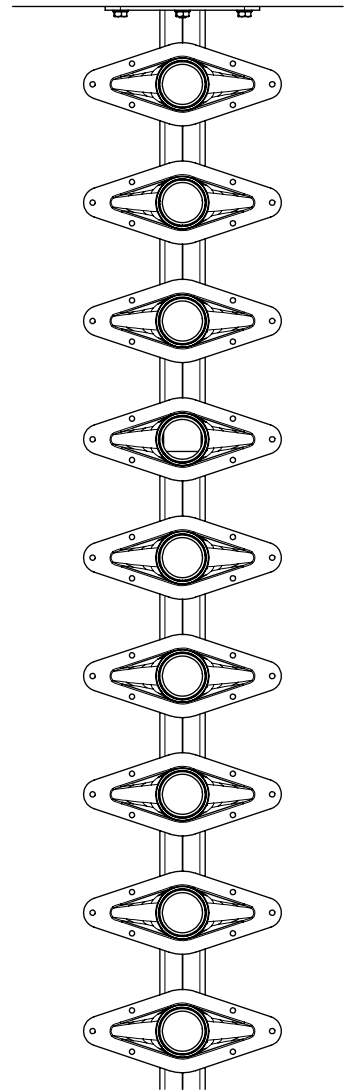
2

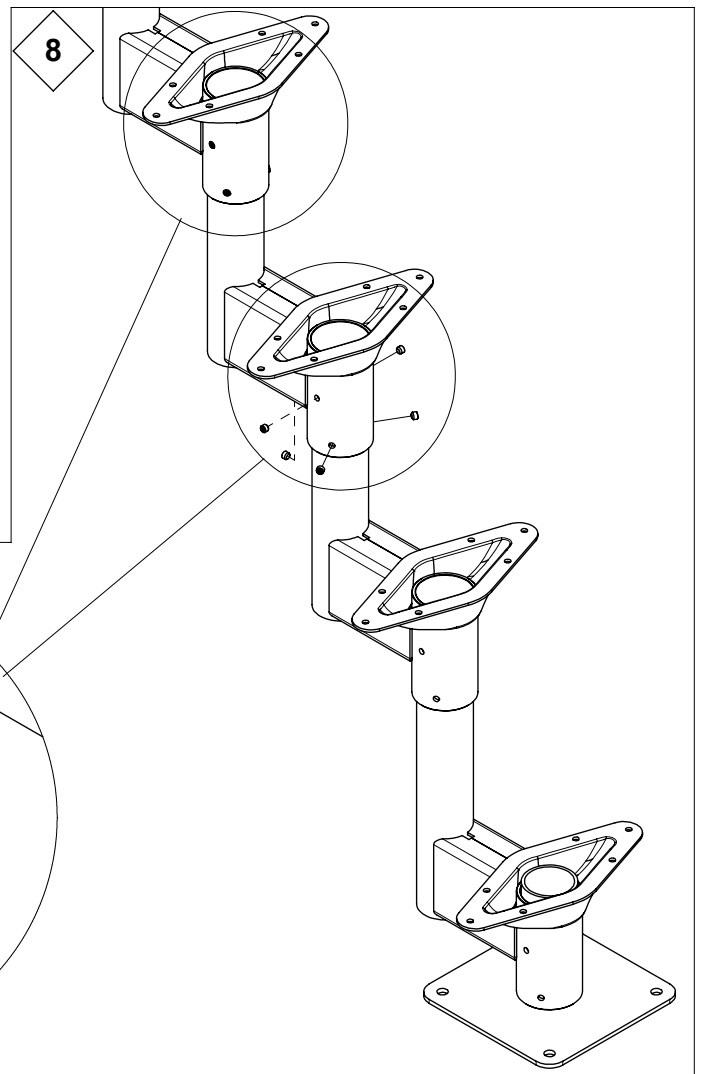
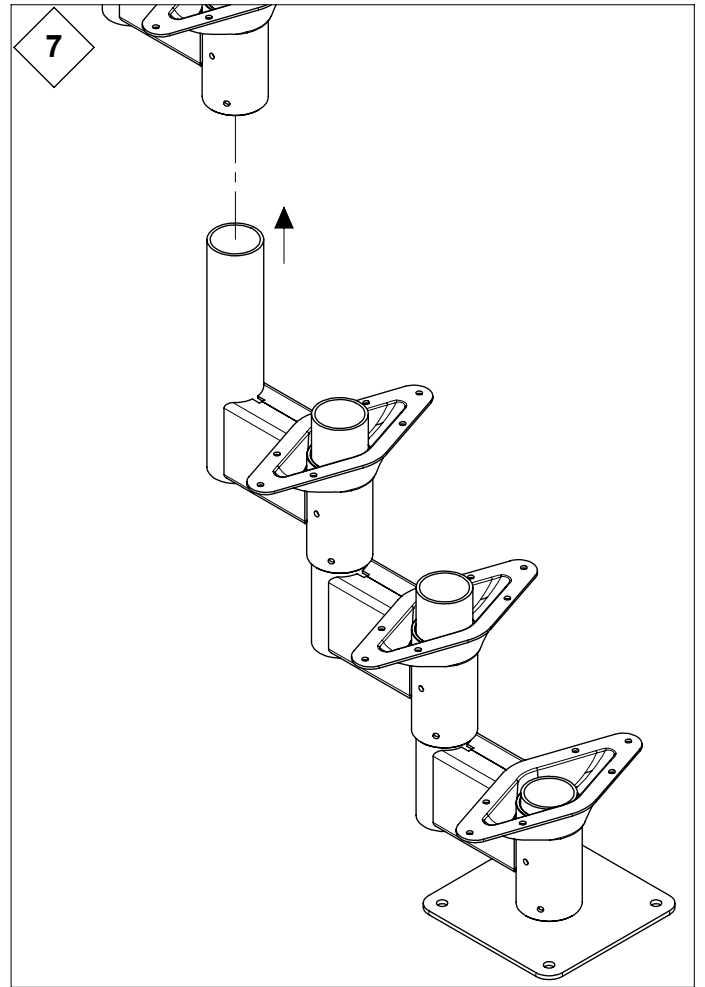
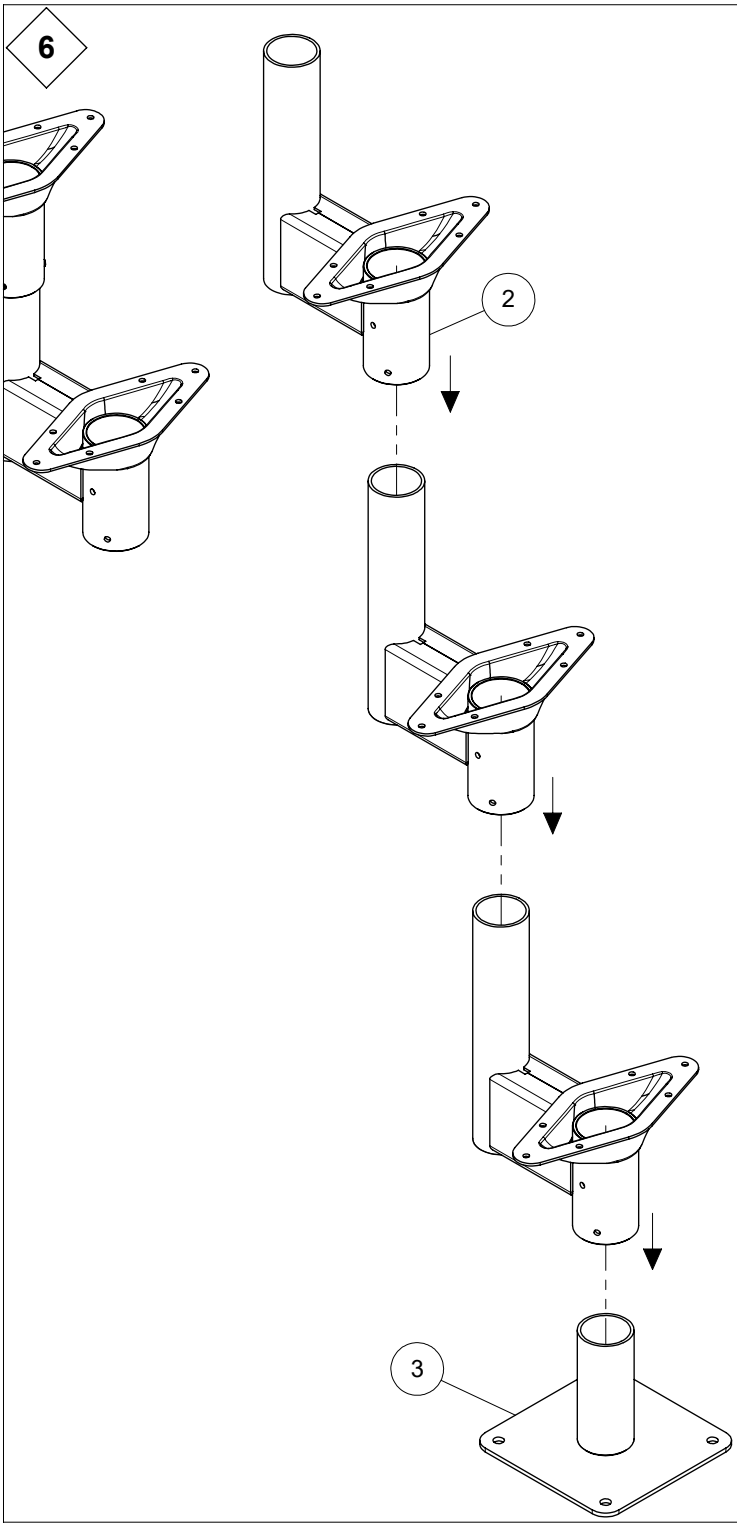
4

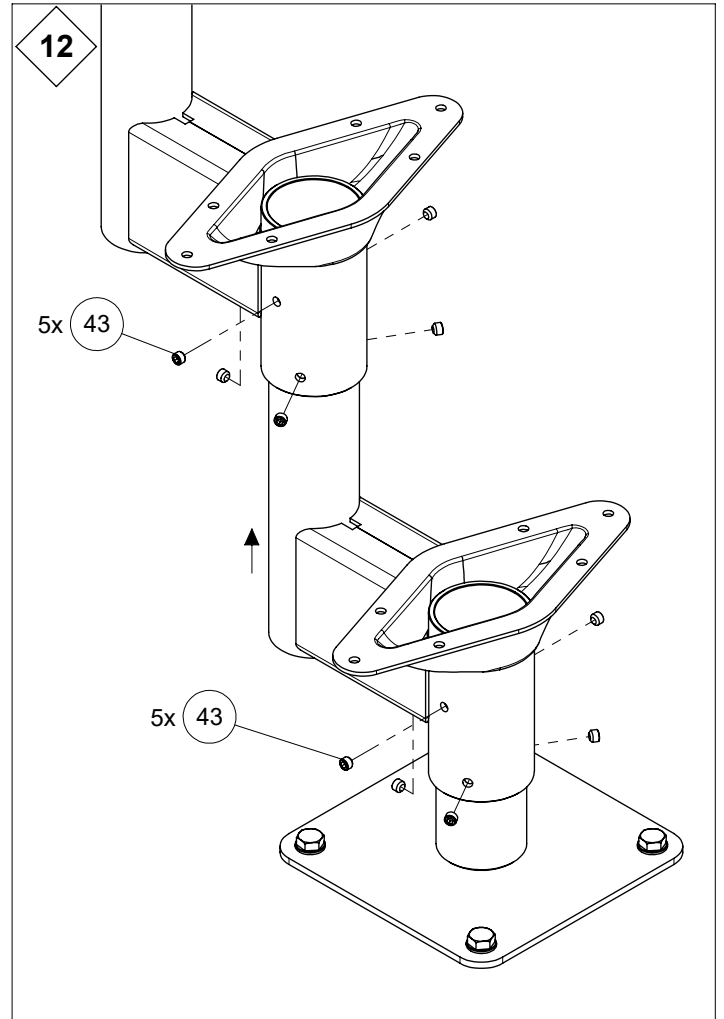
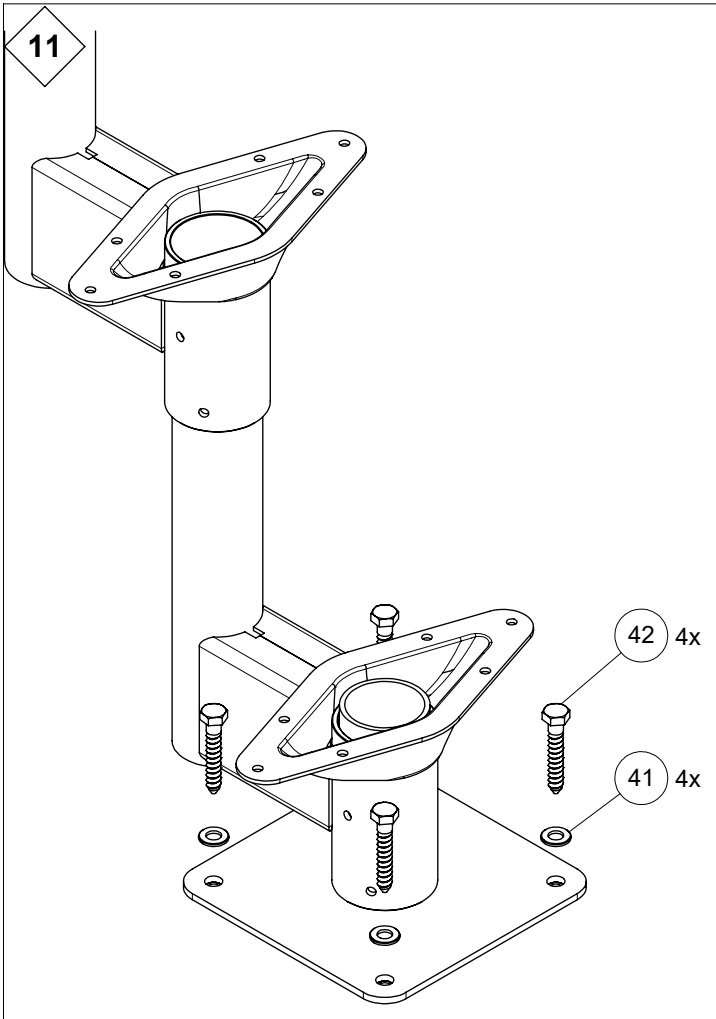
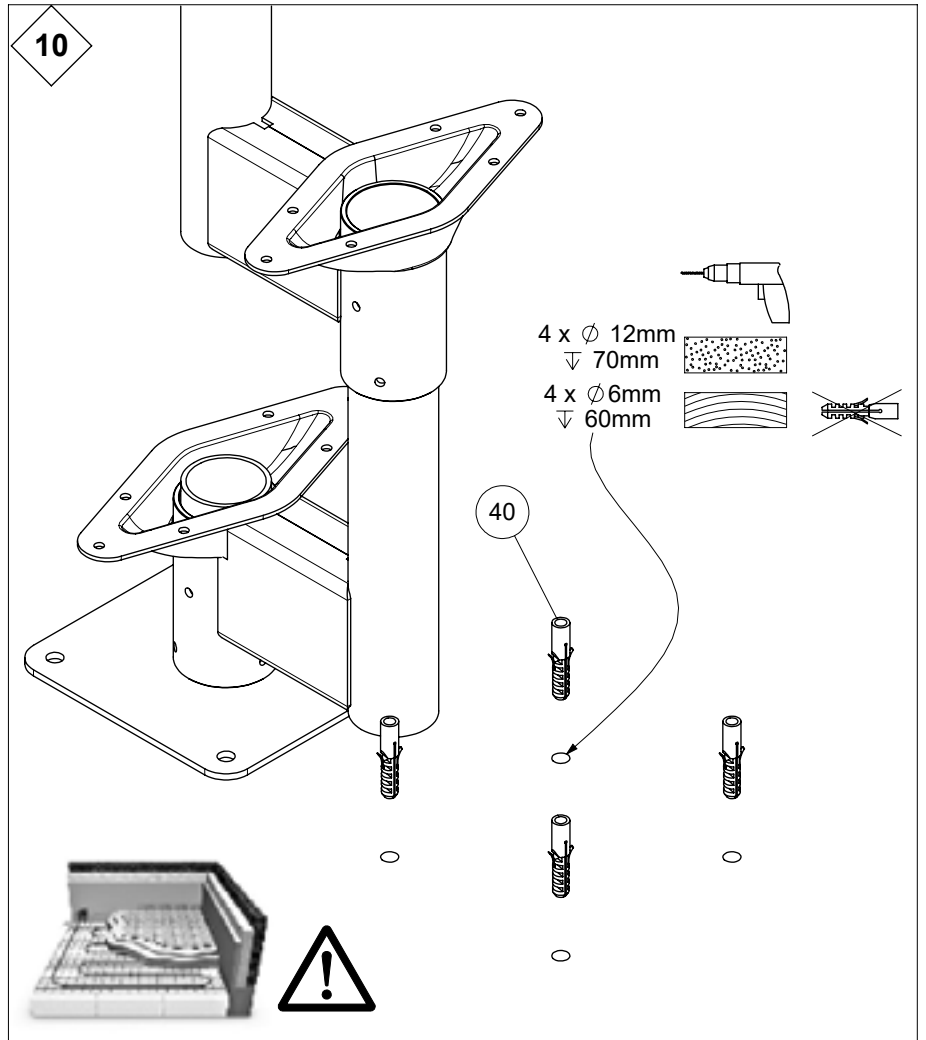
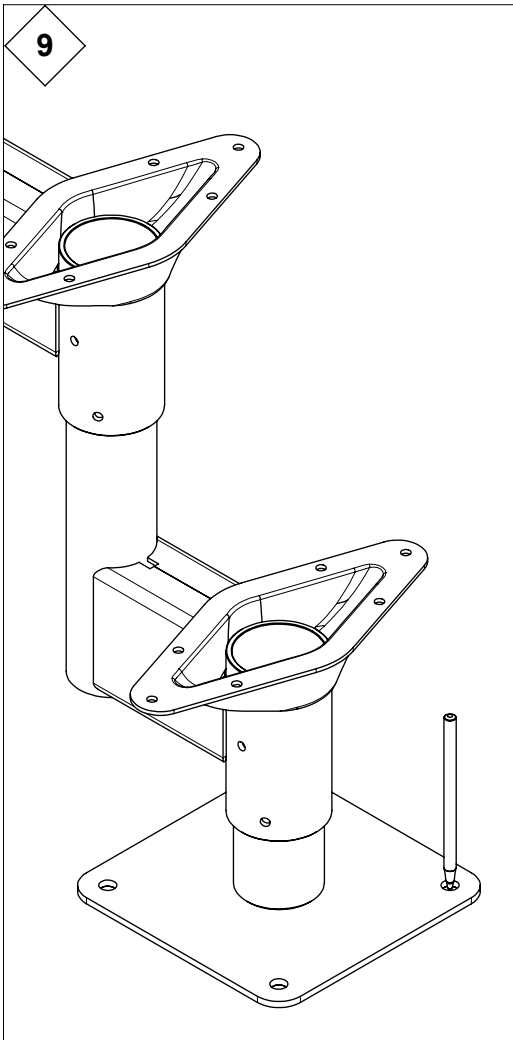


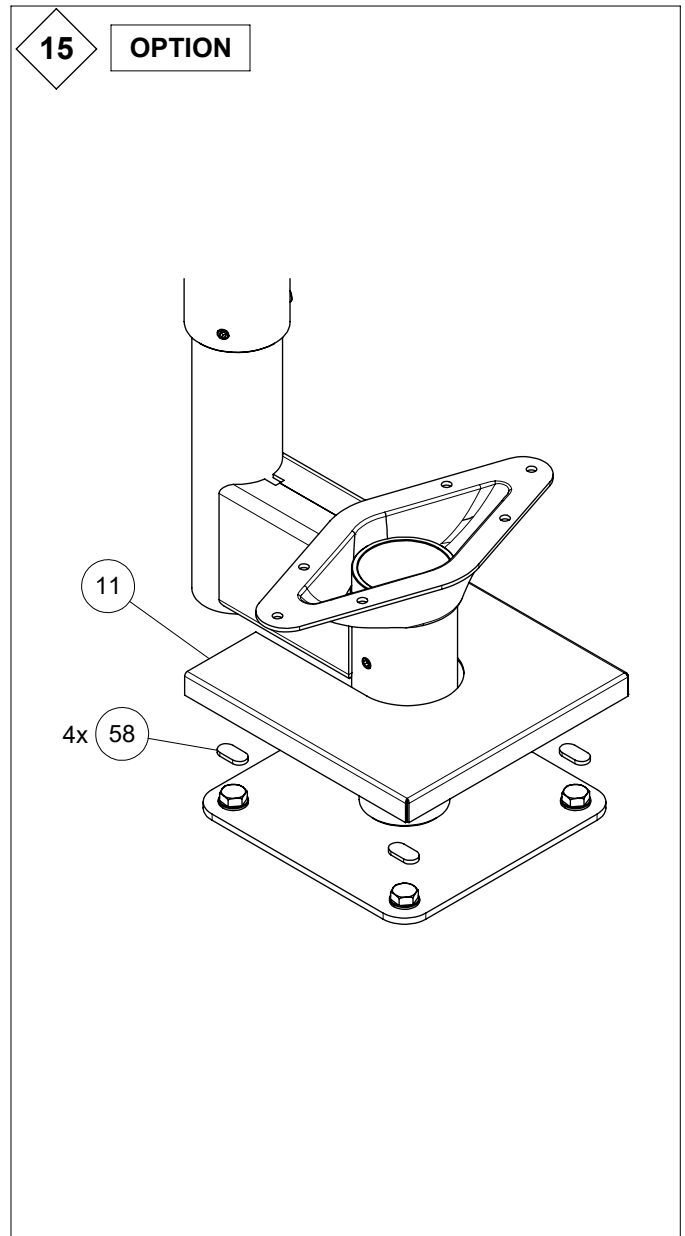
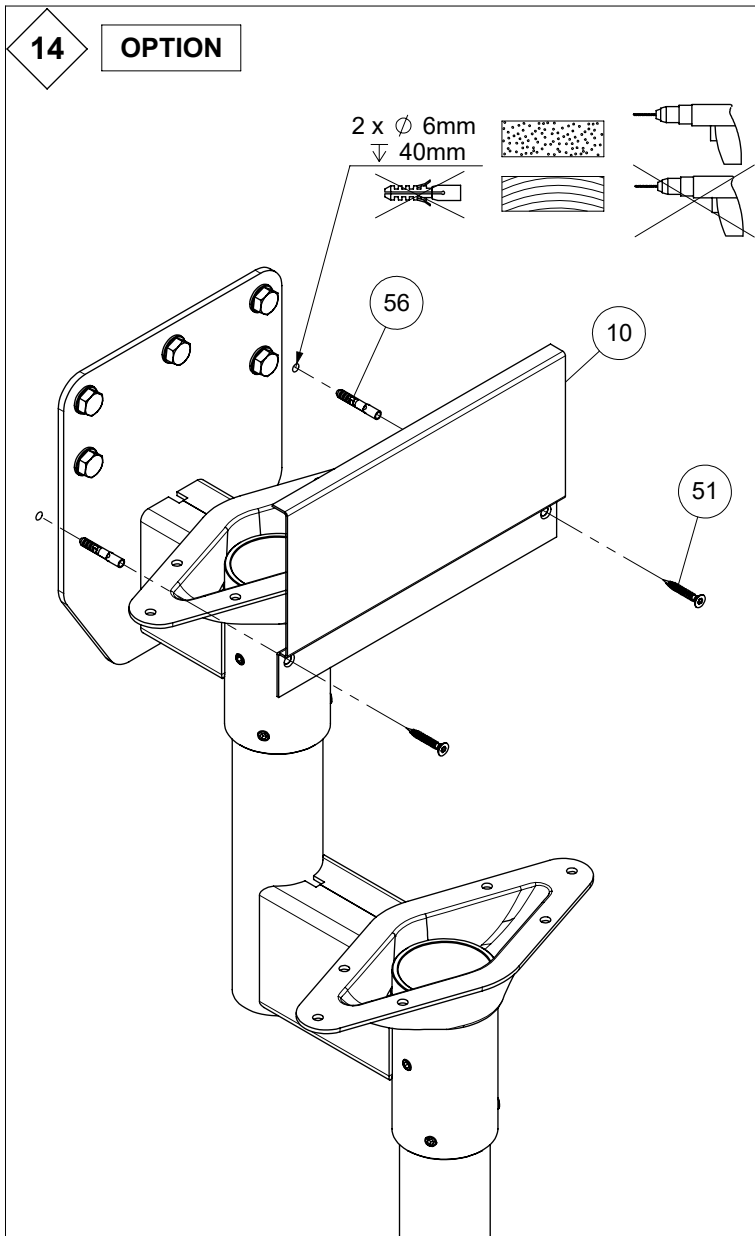
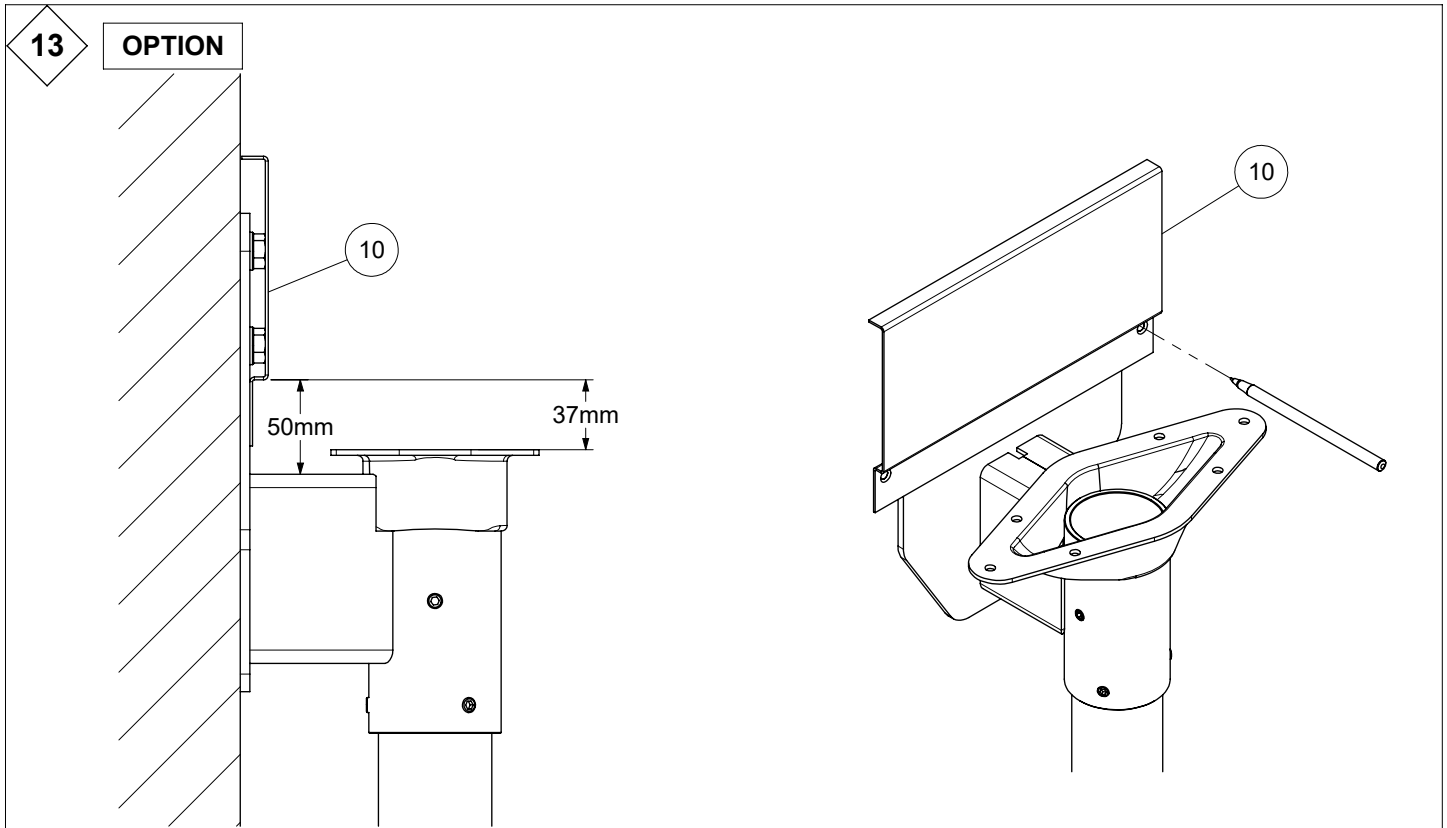
Wooden post
 Holzpfosten
 Houten paal
 Poteau en bois
 Træstolpe

5

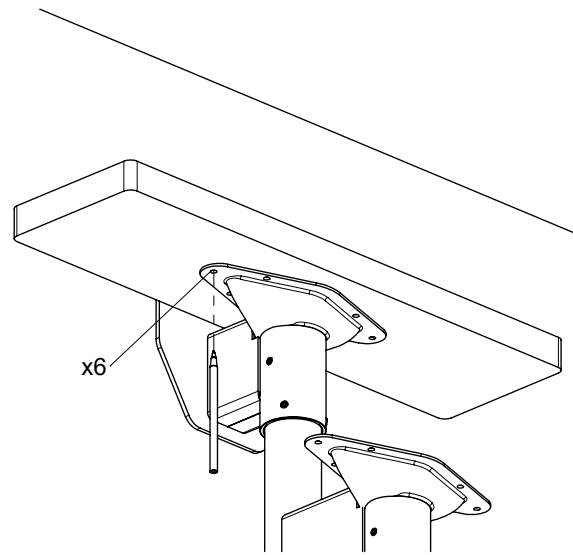
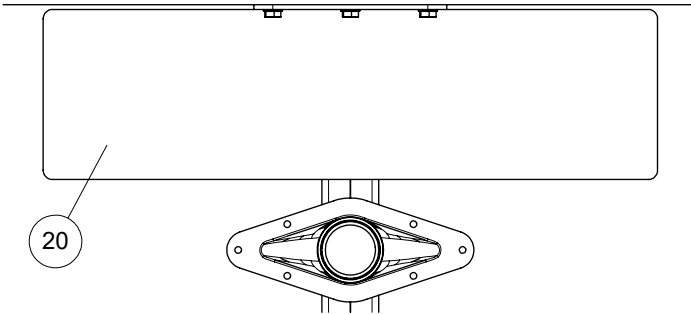
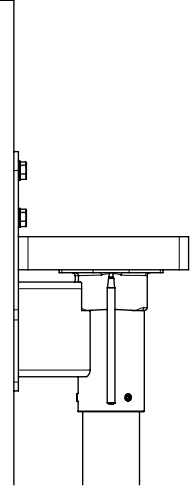
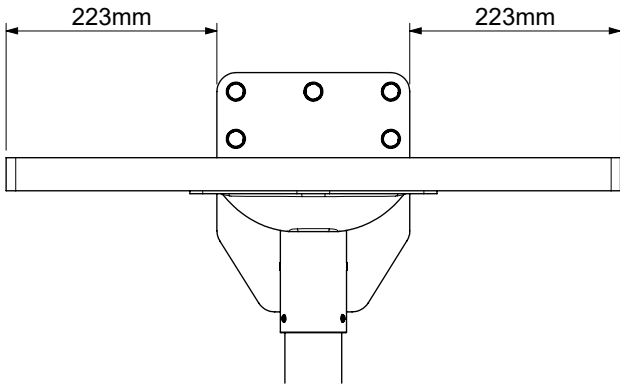




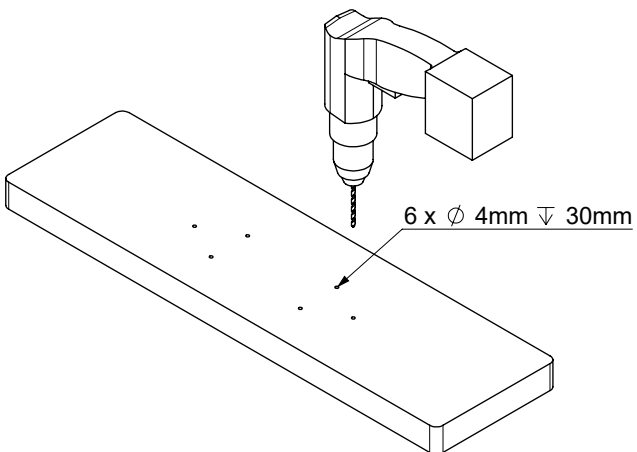




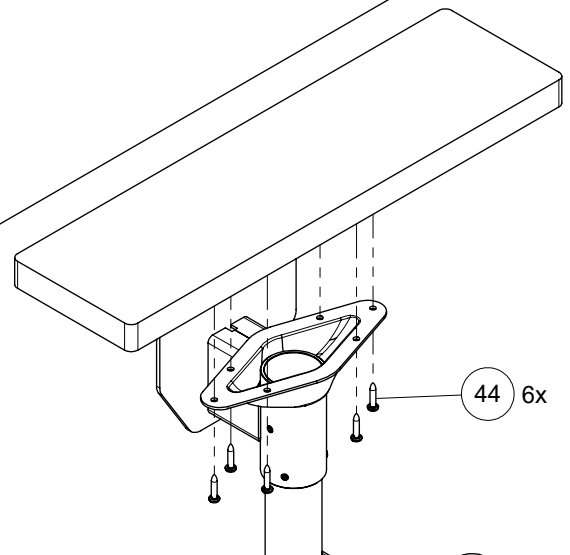
16



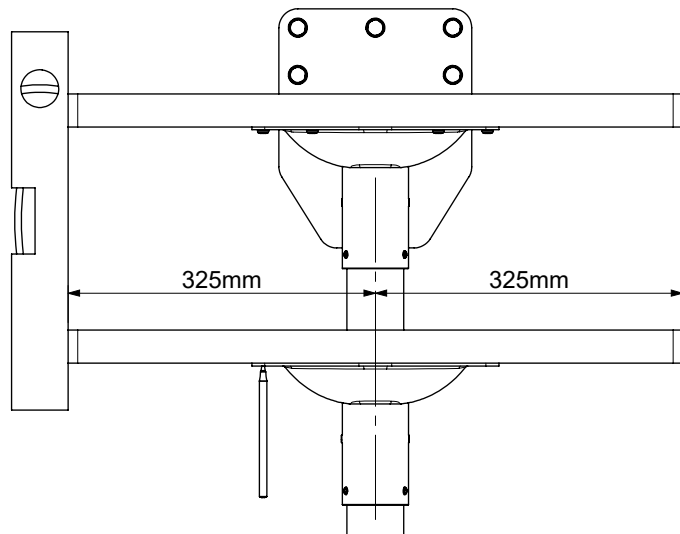
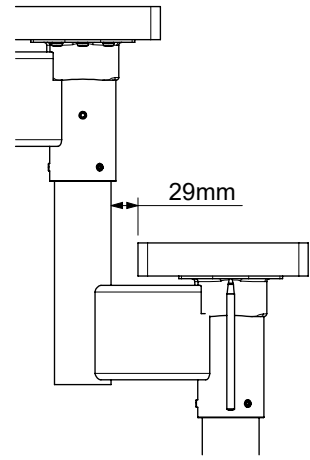
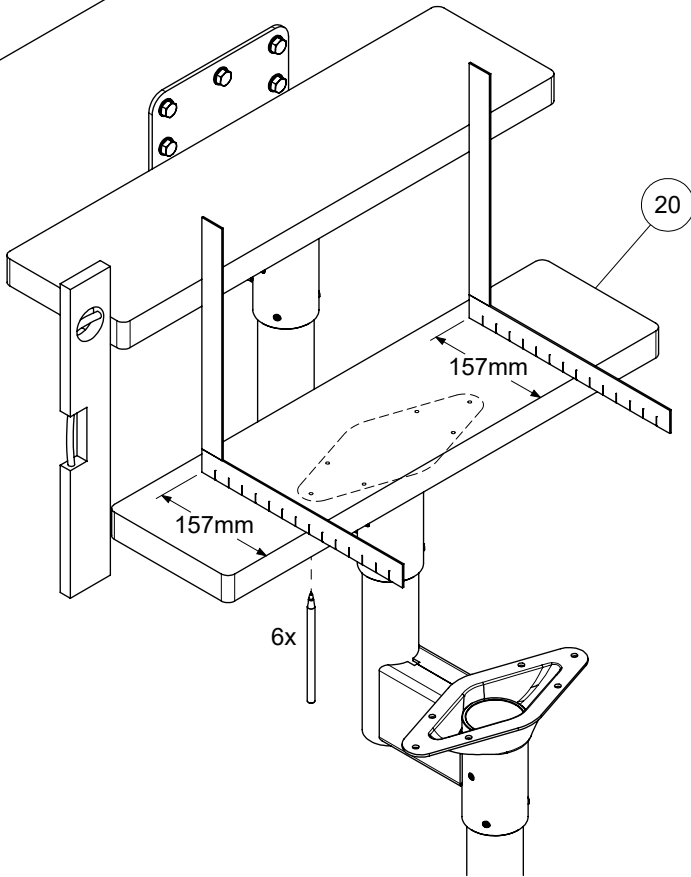
17



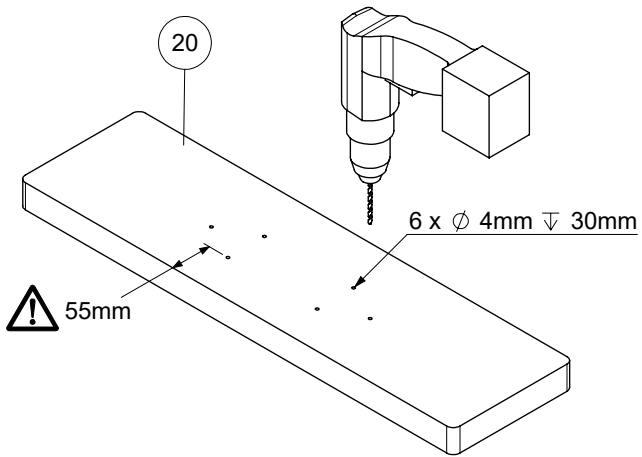
18



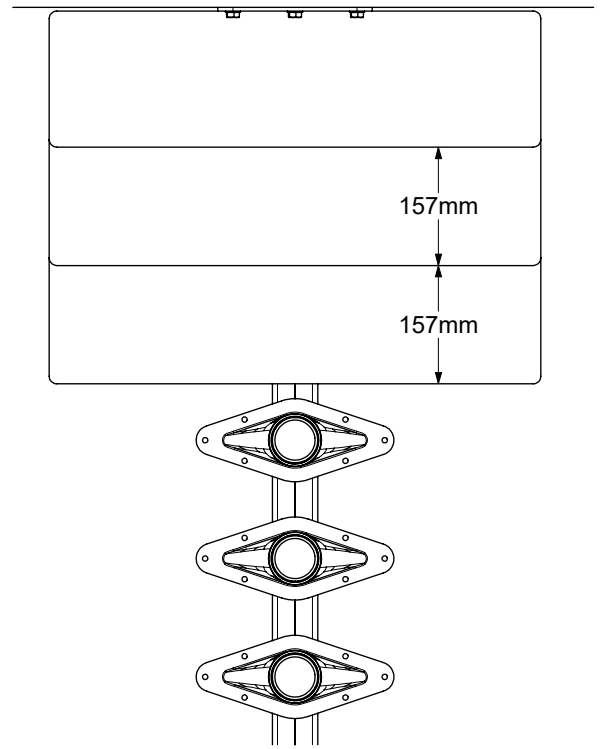
19



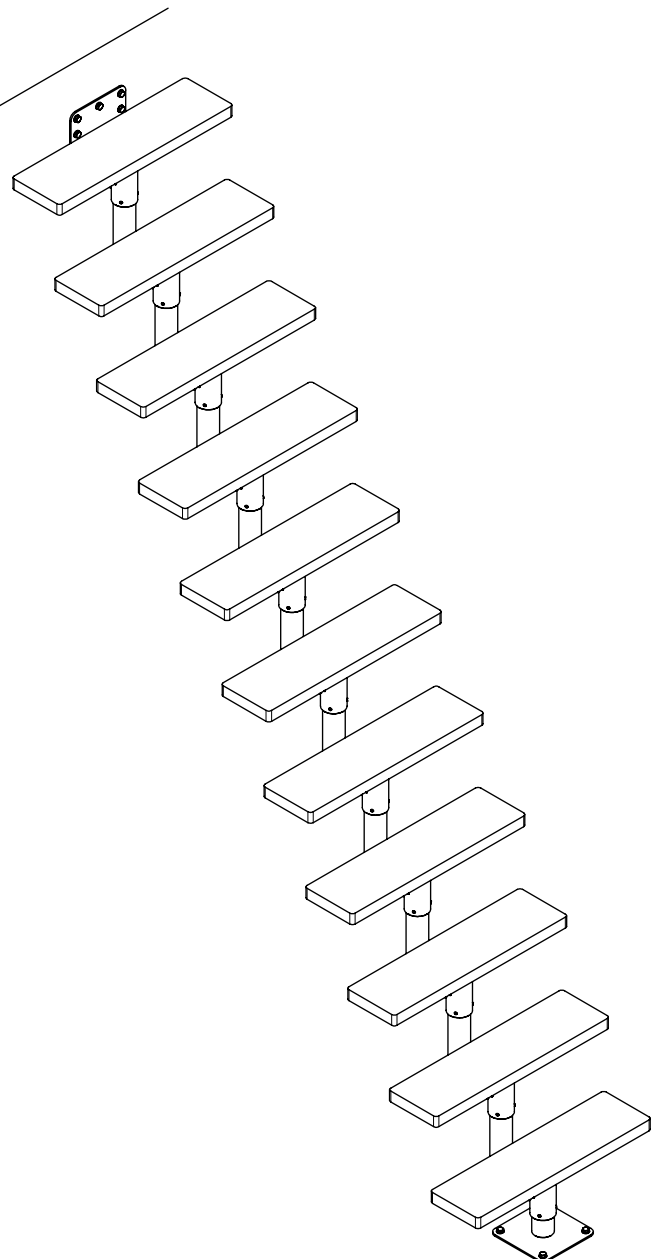
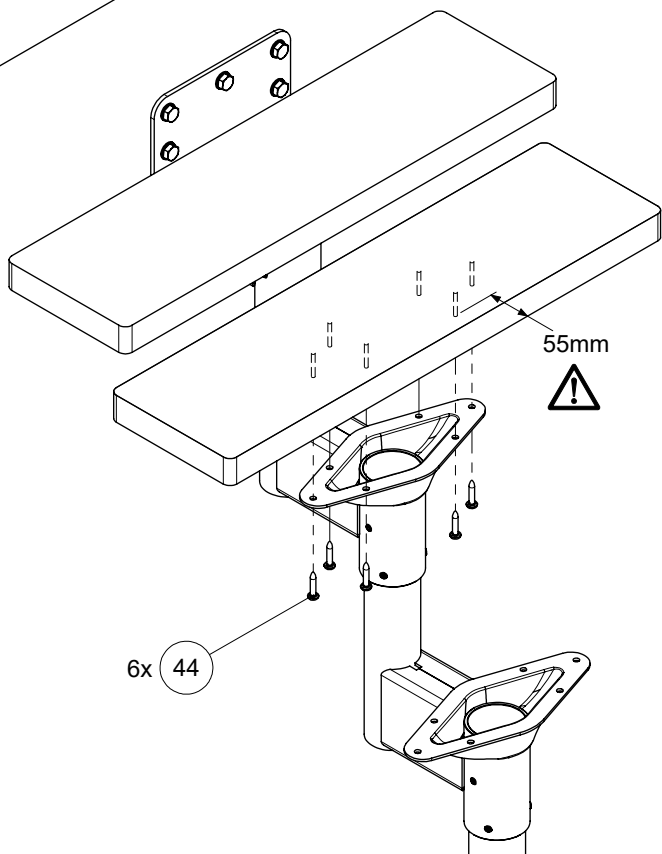
20



22



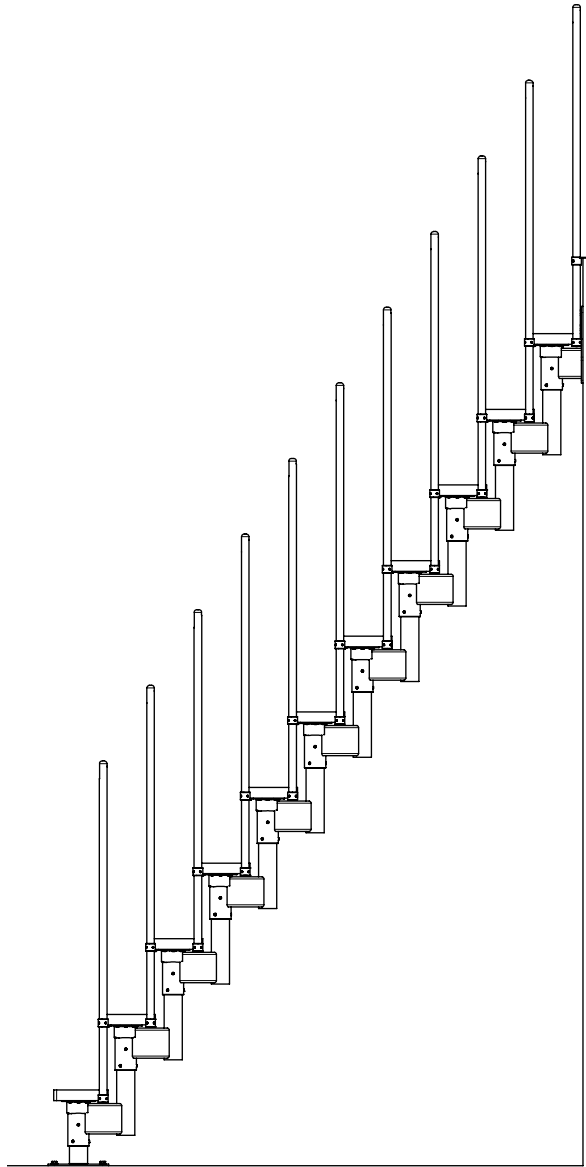
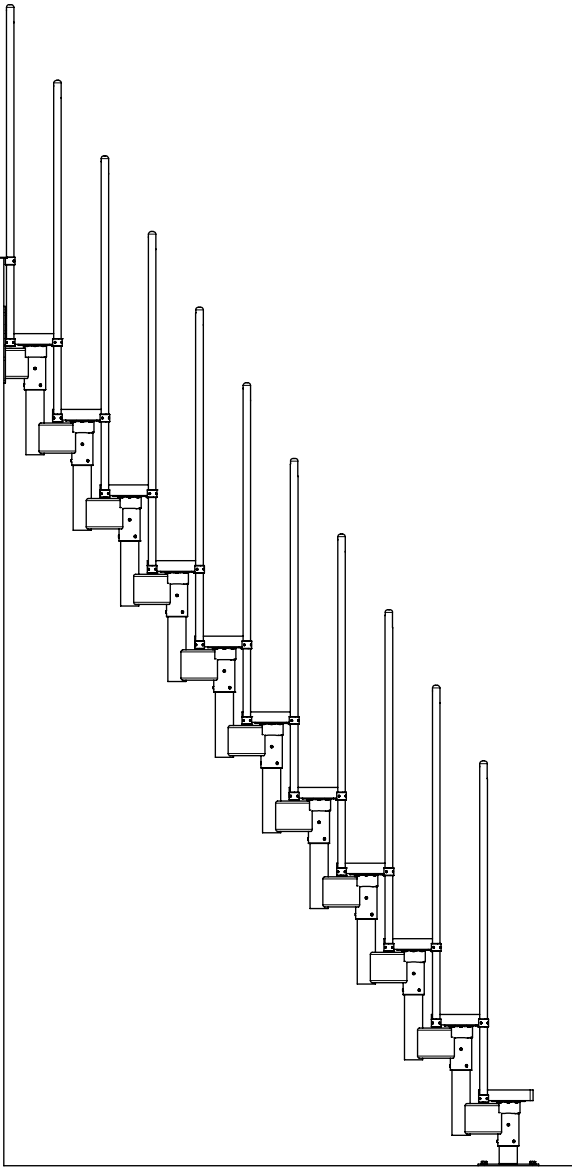
21





L

R



1768mm

