

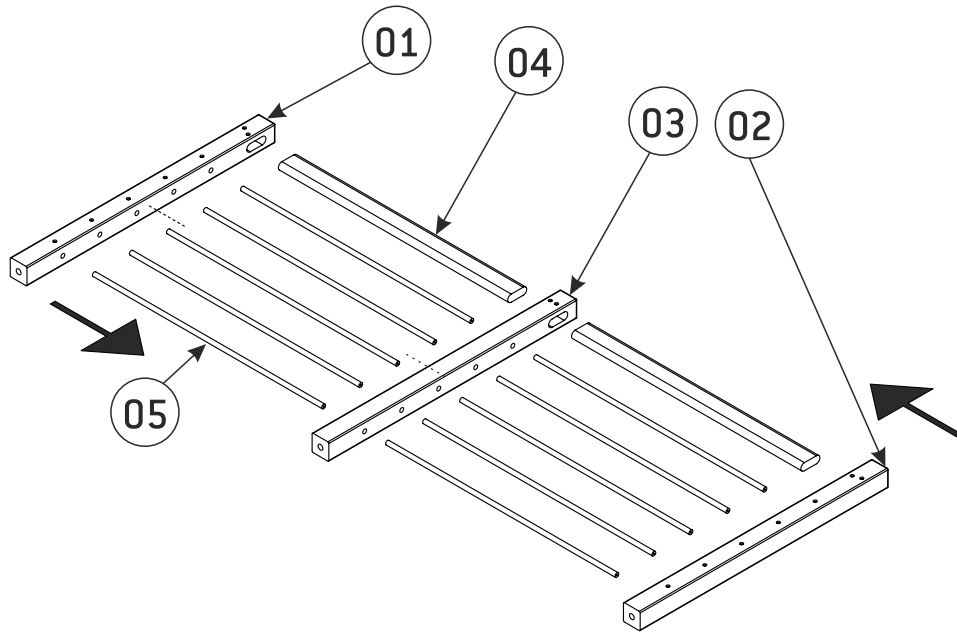
320 CM WOOD & ALUMINIUM LANDING BANISTER

HELSINKI

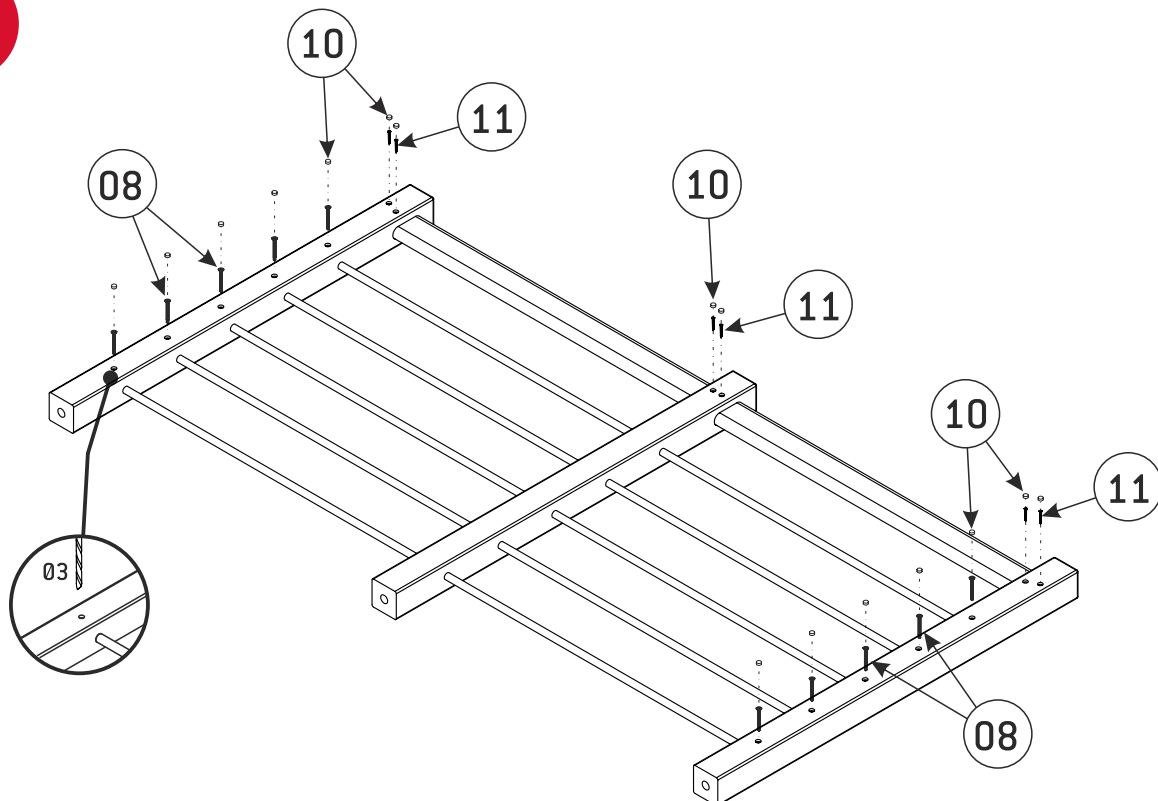
**MONTAGEVEJLEDNING / MONTERINGSANVISNING
MONTAGEANLEITUNG / ASSEMBLY INSTRUCTION**

<p>01 x1</p> <p>70x70x1040</p>	<p>02 x1</p> <p>70x70x1040</p>	<p>03 x1</p> <p>70x70x1040</p>	<p>04 x2</p> <p>79,5x29,5x1580</p>	<p>05 x10</p> <p>Ø16x1580</p>	
<p>06 x3</p> <p>65x65x140</p>	<p>07 x12</p> <p>Ø10x50</p>	<p>08 x10</p> <p>Ø4,2x50</p>	<p>09 x12</p> <p>Ø5x60</p>	<p>10 x14</p> <p>Ø12x5</p>	<p>11 x6</p> <p>Ø6x30</p>
<p>Tx10-30</p>	<p>Pz2</p>	<p>Ø10</p>	<p>Ø16</p>	<p>silicone</p>	
		<p>Ø3</p>	<p>Ø12</p>		

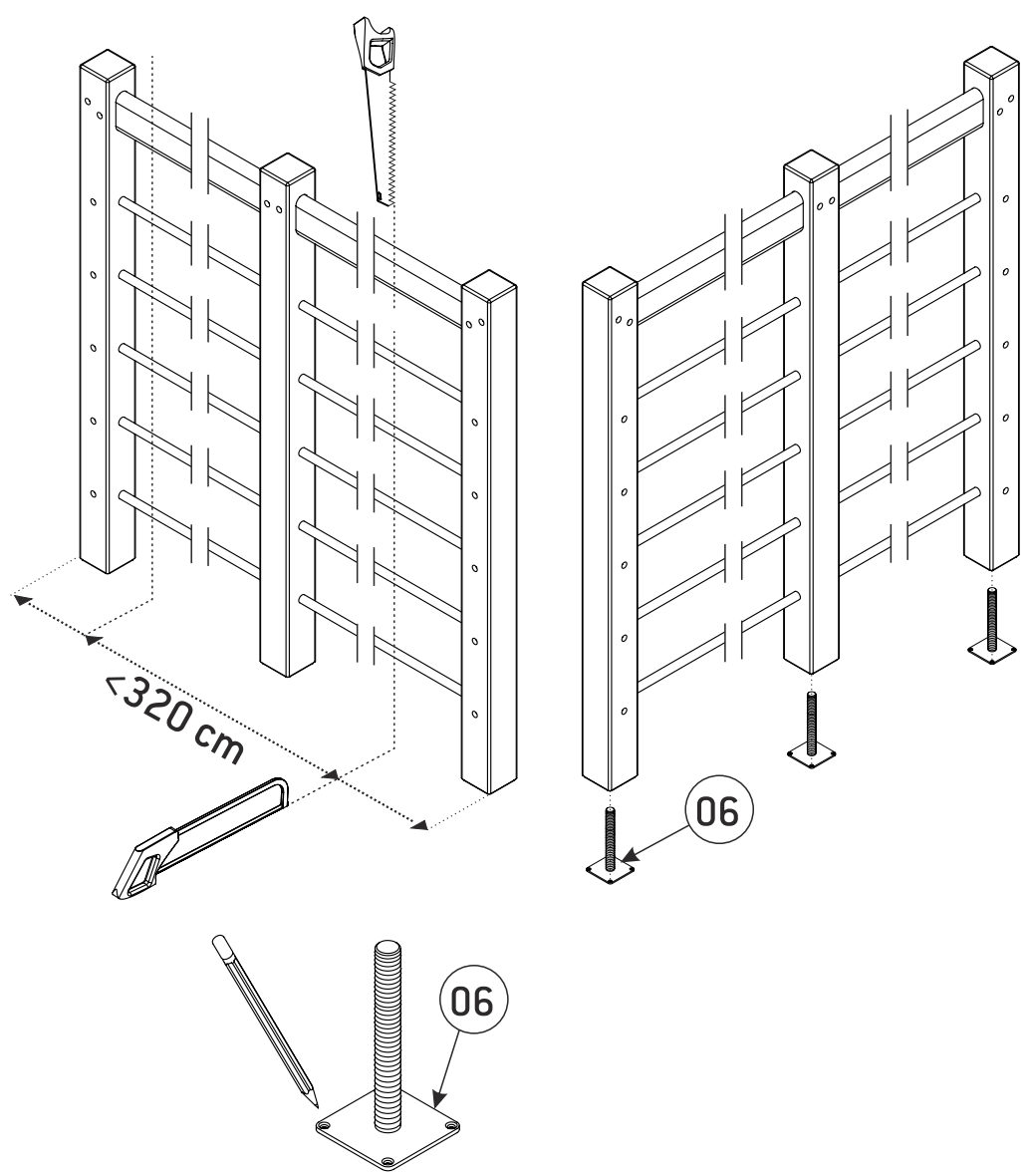
1



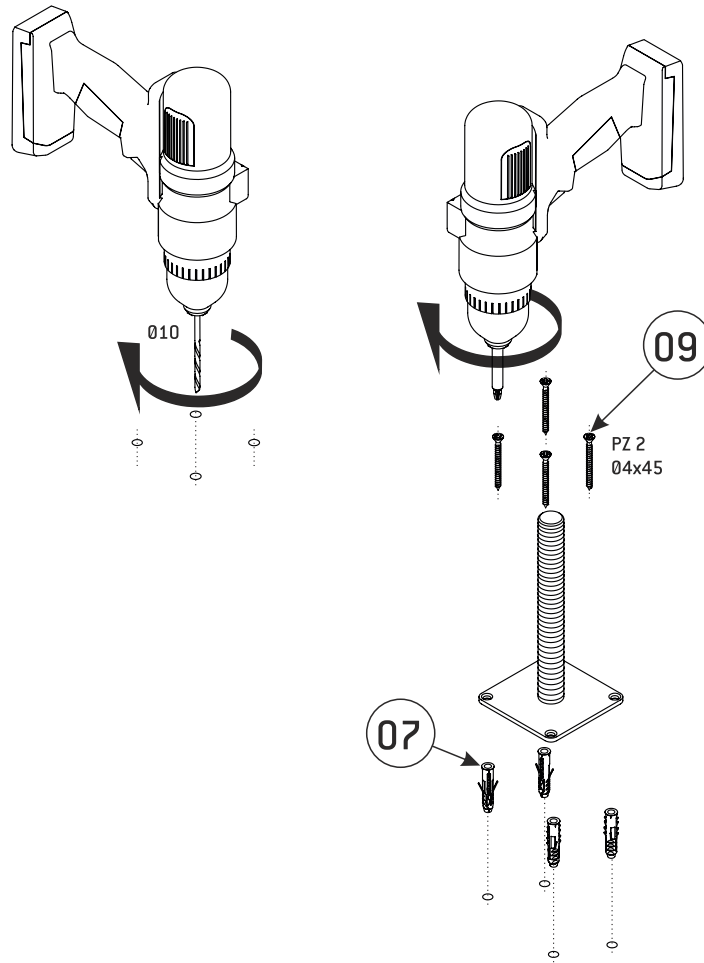
2



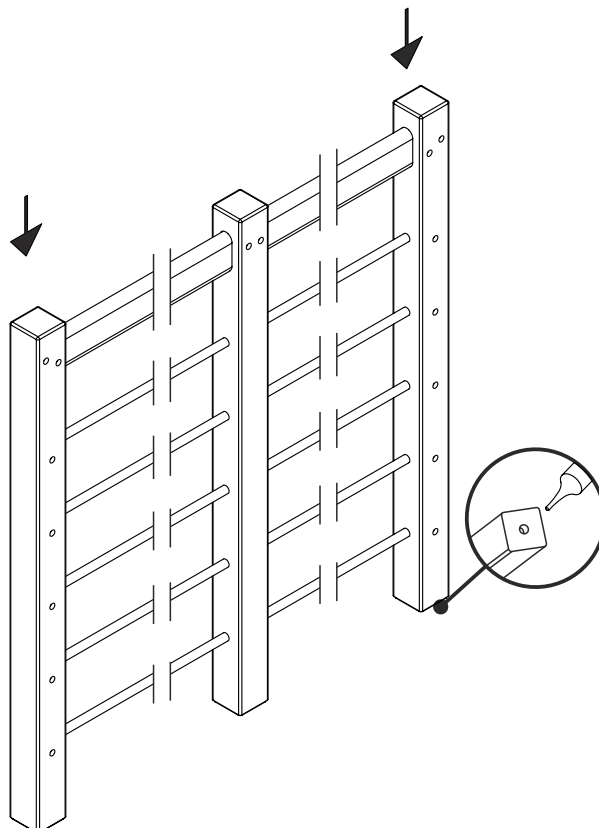
3

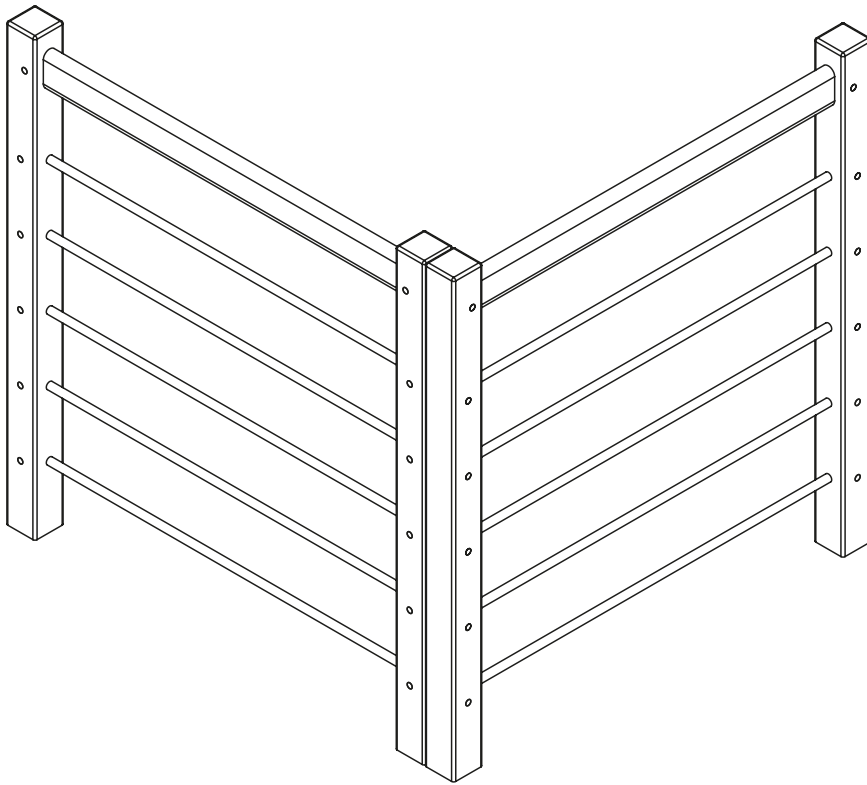


4



5



**WOOD & ALUMINIUM LANDING BANISTER "L" MOUNTING**

HELSINKI

**MONTAGEVEJLEDNING / MONTERINGSANVISNING
MONTAGEANLEITUNG / ASSEMBLY INSTRUCTION**

